


 CESTELLI PORTA OPERATORE
 PERSONNEL BASKETS
 NACELLES PORTE-OPERATEUR
 HUBARBEITSKÖRBE

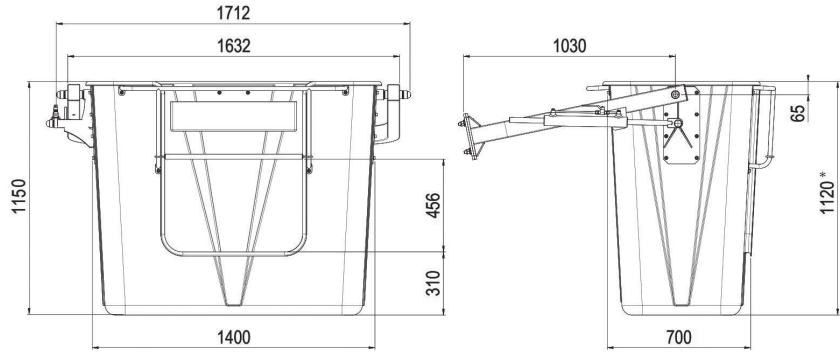
 CESTAS OPERADOR
 РАБОЧИЕ КОРЗИНЫ
 操作员吊篮
 سلات نقل كادر العمل



*Dal piano di calpestio
 *Inside the basket

FAV 2 VETRORESINA FIBERGLASS	700x1400x1150 mm	110 Kg	200 Kg	1 Kv	2
---	------------------	--------	--------	------	---

Necessario kit Fullmatic in conformità EN 280 - Kit Fullmatic needed for norm EN 280



FAV 1



FAV 1080/2



FAV 2

CE5.01.21



- 01 
- 02 
- 03 
- 04 
- 05 
- 06 
- 07 
- 08 
- 09 
- 10 
- 11 
- 12 
- 13 
- 14 
- 15 